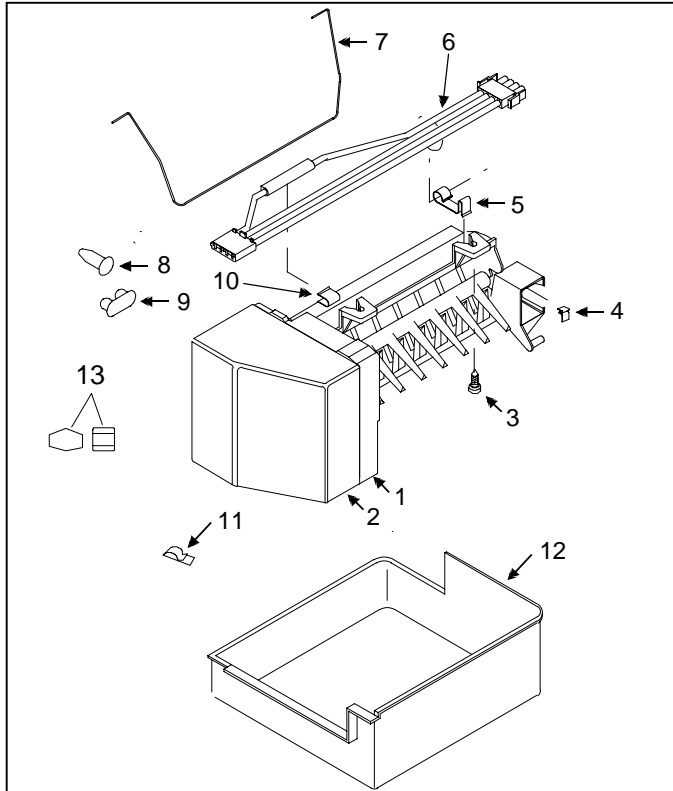


# IC8 Top and Bottom Freezer Refrigerator Ice Maker Kit Installation and Operating Instructions

## Parts

Use listed part numbers only when ordering replacement parts. Part number are not used in installation instructions.



Item	Description	Part number
1	Ice maker	D7824703
2	Ice maker cover	10519801
3	<sup>5</sup> / <sub>8</sub> " long sheet metal screw (to secure ice maker)	M0211118
4	Stainless steel clip	B5720302
5	Ice maker wire harness clamp	10526701
6	Ice maker wire harness	D7813004
7	Ice maker arm	10884401
8	Button plug	M0311301
9	Oblong plug	A3124301
10	Thermal fuse clip (attached to ice maker)	10319801
11	Plastic clips (4)	M0104106
12	Ice storage bucket	10476201
13	Compression nut and sleeve	10244904
N/S	Warning level (attached to side of ice maker)	A3036901
N/S	Diagnostic label (inside ice maker cover)	10834701
N/S	Installation Instructions	10527033
N/S= Not shown		

## Introduction

**!** Recognize this symbol as a safety precaution.

Read entire manual before installing kit. All necessary tools and materials must be available prior to installation. Verify all listed parts are included in kit. If parts are missing, contact source from whom kit was purchased.

- Mechanical experience is required to install kit.
- If unable to solve a problem during installation, contact an authorized Amana technician. Locate a Factory Service Center or independent authorized technician by calling **1-800-628-5782** inside U.S.A. and **1-319-622-5511** outside U.S.A. **Service is at owner's expense.**

## Safety Instructions

### **!** WARNING

To avoid electrical shock which can cause severe personal injury or death, unplug power cord or open household circuit breaker to refrigerator before installing kit. After installing kit, reconnect power.

### **!** Caution

To avoid property damage, observe the following:

- Confirm water pressure to water valve is at least 20 pounds per square inch.
- Start nuts by hand to avoid cross threading. Finish tightening nuts using a wrench. Do not overtighten.
- Check carefully for water leaks prior to returning refrigerator to normal location and 24 hours after connection.

## Before Connecting Ice Maker

### Important

- Before connecting ice maker, contact a plumber to connect copper tubing for refrigerator water supply to household plumbing in compliance with local codes and ordinances.

Use <sup>1</sup>/<sub>4</sub>" (6 mm) flexible copper tubing. Length of copper tubing must reach from water supply connection plus an additional 8' (2.5 m) for service loop behind refrigerator. Tubing should be soft instead of rigid and ends should be free of burrs.

Copper tubing route must be above 35°F (2°C) to prevent water line from freezing.

Do not use piercing type or  $\frac{3}{16}$ " saddle valves! Both reduce water flow, become clogged with time and may cause leaks over time if repair is attempted. The correct type of shut-off valve requires a  $\frac{1}{4}$ " hole to be drilled in the water supply pipe prior to valve attachment.

- Amana Appliances recommends having a qualified plumber connect water supply line to water supply and refrigerator. If a plumber is not used, the following steps must be followed.

1. Move refrigerator away from wall and unplug it.
2. Seal open end of copper tubing with masking tape to keep inside of tubing clean. After connecting copper tubing to water supply, route copper tubing to refrigerator providing  $\frac{3}{8}$ " (10 mm) holes as required.
3. Remove tape from end of copper tubing. Put end of copper tubing into sink or bucket. Partially turn on water supply to refrigerator. Water will be under considerable pressure. Allow water to flush through copper tubing 1 minute. Turn off water supply to refrigerator when flushing is complete.

## Tools Required

- Electric drill (ground fault protected), and  $\frac{3}{8}$ " drill bit
- $\frac{1}{4}$ " hex nut driver
- $\frac{1}{2}$ " open-end wrenches (2)
- Flat blade screwdriver
- Masking tape
- Tight fitting gloves

## Procedure

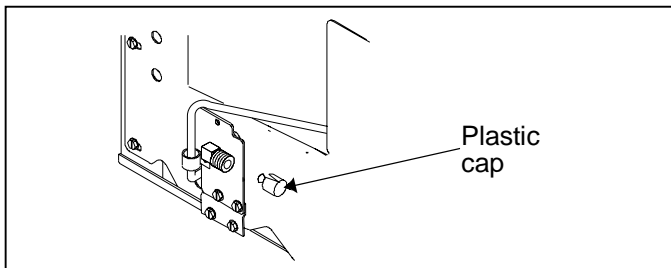
### Connect Water Supply Line



### Caution

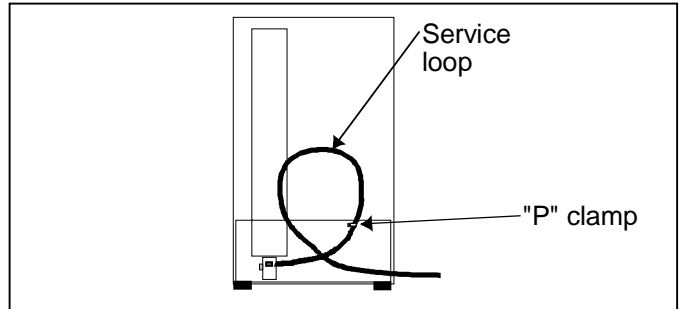
To avoid property damage, protect soft vinyl or other flooring by adjusting leveling legs up, off of floor before moving refrigerator.

1. Move refrigerator away from wall and unplug it.
2. Remove plastic cap from water valve tube fitting on back of refrigerator. Connect copper tubing to water valve with nut and sleeve provided in kit.



3. Insert copper tubing completely into water valve inlet port. Start nut by hand to prevent cross threading. Firmly connect brass nut on copper tubing to water valve inlet port fitting using two  $\frac{1}{2}$ " open end wrenches. Confirm copper tubing is secure by pulling on copper tubing. Do not overtighten.

4. Create service loop (approximately 8') using extreme care to avoid kinks. **Secure copper tubing at back bottom horizontal cover using "P"-clamp, provided.**

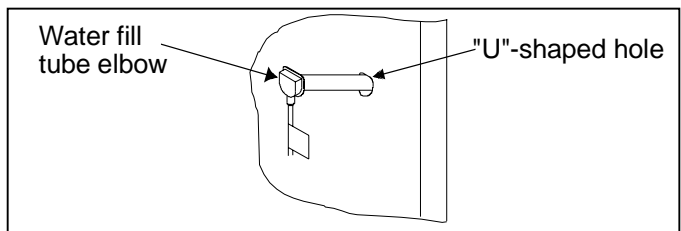


5. Partially turn on water supply to refrigerator and check for leaks. Turn off water supply to refrigerator and correct any leaks. Repeat this process until no leaks are found, then completely turn on water supply to refrigerator.

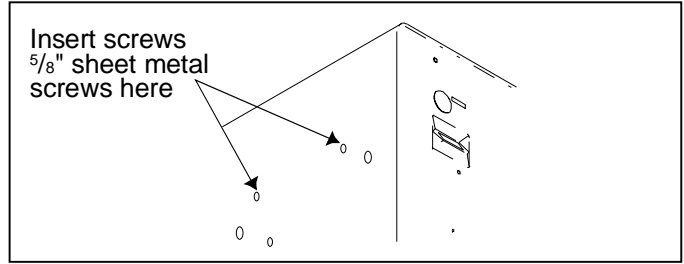
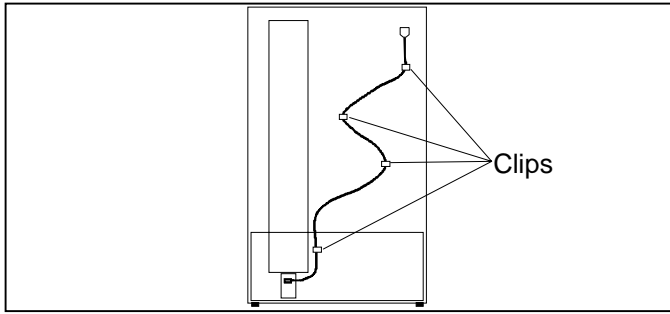
### Install Water Inlet Tube

- Some refrigerators may have the water inlet tube already installed.

1. Remove electrical and water connection cover inside freezer compartment. Cover is located in upper left corner of freezer rear wall compartment.
2. Remove water tube inlet hole plug from rear of refrigerator cabinet. Use a blade screwdriver or putty knife with the blade end covered in masking tape to pry plug out of hole. Insert screwdriver into inlet hole and puncture sealing tape located 3"-4" in hole. **Important:** Water fill tube elbow is attached to the plastic water fill line with a clamp and should not be taken apart. During installation of the water fill tube elbow, make sure enough slack exists in the water fill line to prevent line from being pulled out.
3. Cover end of water fill tube elbow (attached with plastic water fill line to back of cabinet) with masking tape to prevent insulation beads from entering water fill tube elbow. Push gently on water fill tube elbow while twisting elbow slightly until elbow is firmly seated inside "U" shaped hole in back of refrigerator.



4. Pull water fill tube elbow through hole in freezer. Remove masking tape from end of water fill tube elbow.
5. Install plastic adhesive backed clips on back of unit to remove slack from plastic water fill line. **Do not over stretch plastic water fill line.**



## Install Ice Maker

1. Remove any shelves that may obstruct installation of ice maker module.

### Models with ice service rack

Slide ice service rack toward front of freezer until screws are in middle of mounting holes. Gently pull ice service rack away from freezer. Remove screws using a 1/4" hex nut driver. Insert provided plugs into screw holes.

### Bottom Freezer models

Remove freezer shelf and basket.

### Top Freezer models

Remove freezer shelf.

2. Install hole plugs to properly position for ice maker.

### Models with half-width freezer shelves

Push 2 oblong plugs provided, into 2 lowest shelf slots on left side.

### Models with full freezer shelves

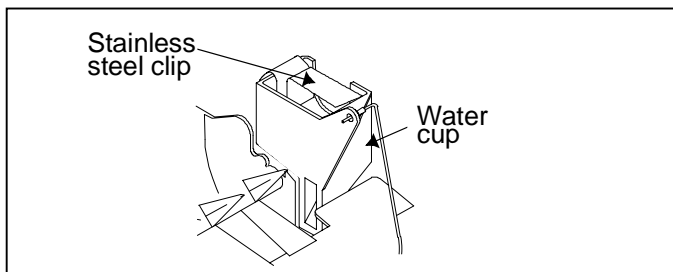
Push 1 oblong plug provided, into lowest shelf slot on each side.

3. Remove ice maker from shipping carton and discard packing material.

### Important

Ice maker is shipped with arm down. This is correct position for ice production. Do not force arm up or down.

4. Slip stainless steel clip over rear wall of ice maker water cup.

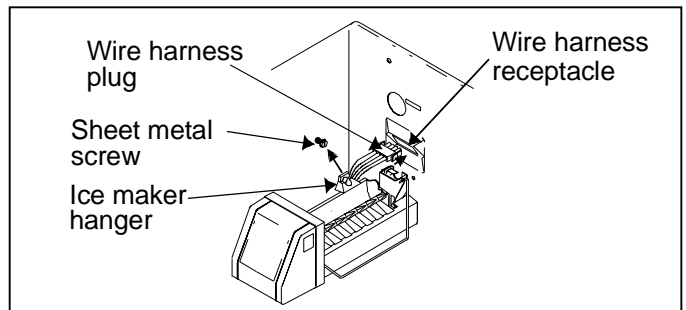


5. Remove and discard 3 button plugs from left freezer wall using flat blade screwdriver with blade covered with masking tape.
6. Start 5/8" sheet metal screw in top front hole, and top rear hole in left wall. Leave heads out approximately 3/8".

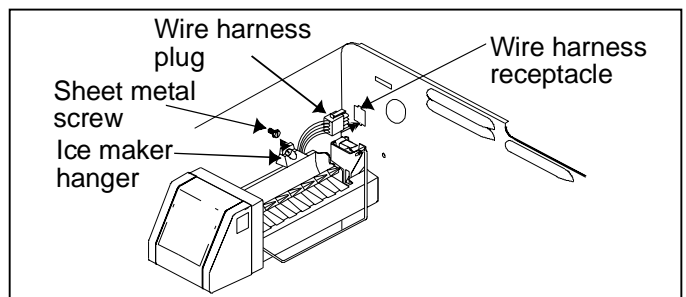
### Important

Ice maker can be installed one way only. **Do not drill additional holes.**

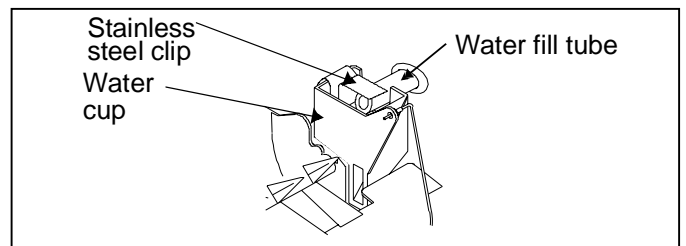
7. Hold ice maker in position. Verify two outside electrical flats line up with flats in receptacle on freezer back wall. Insert wire harness plug into receptacle on rear wall **until locking fingers on plug snap into place**. Slip ice maker hanger over sheet metal screw.



or



8. Ease ice maker water cup toward end of water fill tube. Water fill tube fits under stainless steel clip. Water fill tube must not be kinked. Water fill tube elbow should extend 3/8" into ice maker water cup and must be secured under stainless steel clip.



9. Install remaining 5/8" long sheet metal screw to secure ice maker. Tighten all 3 screws.
10. Reinstall freezer shelf and any baskets.
11. Position ice storage bucket on freezer shelf under ice maker.



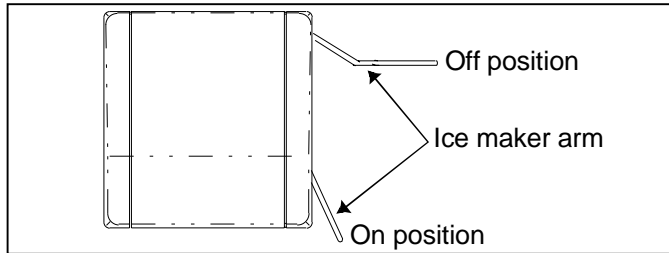
## Caution

To avoid property damage, all covers must be in place.

12. Plug in refrigerator and move refrigerator in place. Level if necessary.
13. Check for water leaks 24 hours after installation.

## Operating Instructions

- Confirm ice bucket is in place and ice maker arm is down.



- After freezer section reaches normal temperature, ice maker fills with water and begins operating. Allow 24–48 hours after installation before first harvest of ice. Ice maker produces 7 to 9 harvests of ice in a 24-hour period under ideal conditions.
- After ice is formed, ice maker drops ice cubes into ice storage bucket. During ice production, ice maker arm raises and lowers. When ice storage bucket is full, ice maker arm turns ice maker off. Discard first 3 harvests of ice after initially connecting refrigerator to household water supply and after extended periods of non-use.

- Stop ice production by lifting ice maker arm. A definite click is heard when *off* position is reached. Ice maker arm will remain in *off* position until ice maker arm is pushed down.



## Caution

To avoid damage to ice maker, observe the following:

- Do not force ice maker arm down or up.
- Do not place or store anything on icemaker or in ice storage bucket.

## Before Calling For Service

Allow ice maker 1 overnight period to make ice before assuming a difficulty exists.

If ice maker is not producing ice

- Confirm ice maker arm is down.
- Confirm household water supply is reaching water valve.
- Confirm ice maker wiring harness is completely inserted into electrical receptacle.
- Check electrical connections to water valve coil.
- Check for kinks in copper or plastic tubing. Remove kinks or replace tubing.
- Confirm freezer is operating at proper temperature.

If ice maker is not producing enough ice

- Ice maker produces 7 to 9 harvests of ice in a 24-hour period under ideal conditions.
- See above section.

If ice maker makes unfamiliar sounds

- These may be normal. Refer to *Normal Operating Sounds* section in Owner's Manual.

## Warranty

### Ice Maker Full One Year Warranty

#### First Year

Amana Appliances will repair or replace, free of charge, any part which is defective due to workmanship or materials.

#### Warranty Limitations

- Begins at date of original purchase.
- Applies to product used within the United States or in Canada if product has Canadian Standards Association listing when shipped from the factory.
- Service must be performed by an authorized Amana technician.

#### Warranty Is Void If

- Product is used on a commercial, rental or leased basis.
- Product has defect or damage due to an accident, fire, flood, connection to an improper electrical or water supply, lightning, product alteration, shipping and handling, or other conditions beyond the control of Amana .
- Product is improperly installed or used.

#### Owner's Responsibilities

- Provide proof of purchase (sales receipt).
- Provide normal care and maintenance. Replace owner replaceable items where directions appear in Owner's Manual and Installation Instructions.
- Make product reasonably accessible for service.
- Pay for premium service costs for service outside technician's normal business hours.
- Pay for service calls related to product installation or customer education.

#### In no event shall Amana Appliances be liable for incidental or consequential damages\*

\*This warranty gives you specific legal rights and you may have others which vary from state to state. For example, some states do not allow the exclusion or limitation of incidental or consequential damages so this exclusion may not apply to you.